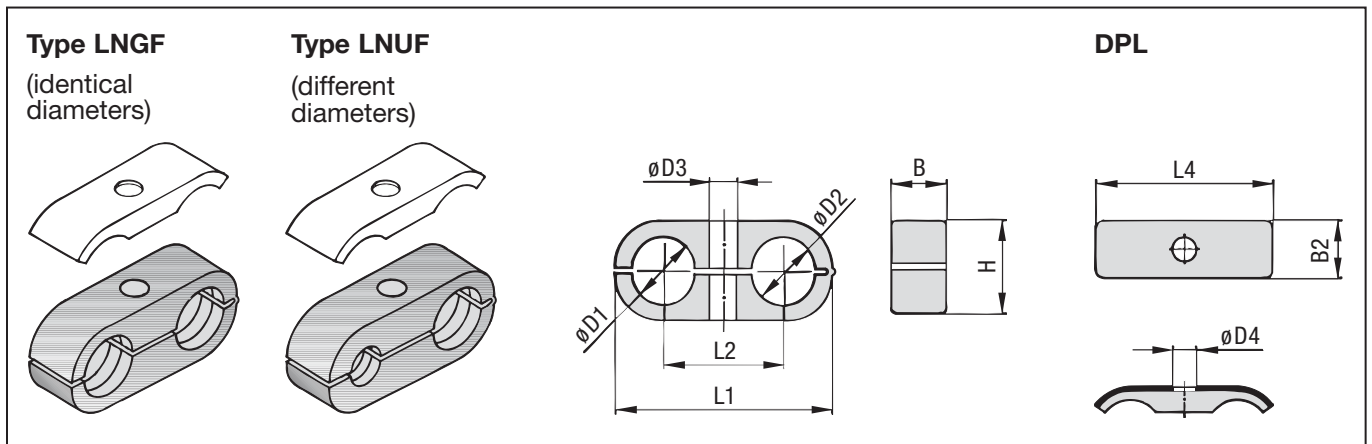


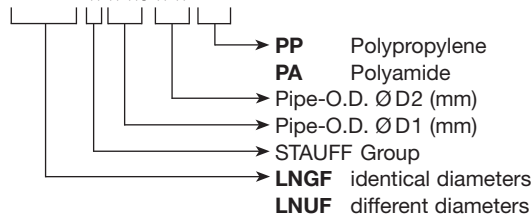
Applications: Pneumatics, Instrumentation and Automotive Technology, Machine Tool Industry, Lubrication, Mechanical Engineering. Also suitable for cables and hoses.



STAUFF Group	Outside diameter Tube or Hose ØD1/D2		Nominal Bore Pipe inch	L1	L2	B	H	ØD3	L4	B2	ØD4	Clamp Material XX	Color	Cover Plate
	mm	inch												
1	06/06			32 1.26"	18 0.71"	14,5 0.57"	13,5 0.53"	6,8 0.27"	29,5 1.16"	15,5 0.61"	6,8 0.27"	PP PA	green black	DPL 1
	06,4/06,4	1/4 / 1/4												
	08/08													
2	08/08			41 1.61"	22 0.87"	14,5 0.57"	18,5 0.73"	6,8 0.27"	40 1.57"	15,5 0.61"	6,8 0.27"	PP PA	green black	DPL 2
	09,5/09,5	3/8 / 3/8												
	10/10		1/8 / 1/8											
	12/12													
3	12,7/12,7	1/2 / 1/2		54 2.13"	30 1.18"	14,5 0.57"	23,5 0.93"	6,8 0.27"	51 2.00"	16 0.63"	6,8 0.27"	PP PA	green black	DPL 3
	13,5/13,5		1/4 / 1/4											
	14/14													
	15/15													
	16/16	5/8 / 5/8												
	17,2/17,2		3/8 / 3/8											
4	18/18			70 2.76"	38 1.50"	14,5 0.57"	30,5 1.20"	6,8 0.27"	63,5 2.50"	16,5 0.65"	6,8 0.27"	PP PA	green black	DPL 4
	19/19	3/4 / 3/4												
	20/20													
	21,3/21,3		1/2 / 1/2											
	22/22													

ORDER CODE

LNxF ***/** xx



Other thermoplastics and diameters upon request.

Type

- LNGF** Double pipe clamp for two identical diameters (one piece design)
- LNUF** Double pipe clamp for two different diameters (one piece design) (on request only)

Accessories

- Cover Plate DPL
- Steel, Zinc Plated

Information

Max. tightening torque: 2,5 Nm